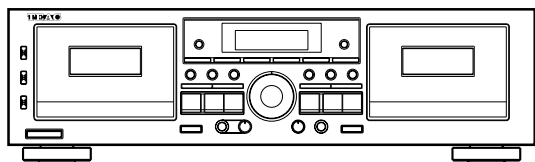


TEAC



SERVICE MANUAL

W-860R

Double Cassette Deck

CONTENTS

1 SPECIFICATIONS	2
2 ADJUSTMENT AND CHECKS	3
3 EXPLODED VIEWS AND PARTS LIST	8
4 PC BOARDS AND PARTS LIST	12

目次

1 仕様	2
2 調整と確認	3
3 分解図とパーツリスト	8
4 基板図とパーツリスト	12

NOTES

- PC boards shown are viewed from parts side.
- Parts marked with * require longer delivery time.
- The parts with no reference number or no parts number in the exploded views are not supplied.
- As regards the resistors and capacitors, refer to the circuit diagrams contained in this manual.
- △ Parts marked with this sign are safety critical components. They must be replaced with identical components - refer to the appropriate parts list and ensure exact replacement.
- Parts of [] mark can be used only with the version designated.
[J]: JAPAN [US]: U.S.A. [C]: CANADA [SA]: SOUTH AMERICA
[GE]: GENERAL EXPORT [E]: EUROPE [UK]: U.K. [A]: AUSTRALIA
W-860R(N): Gold Version W-860R(B): Black Version

注 意

- プリント基板図は部品面を示しています。
- *印の部品は納期が若干かかります。
あらかじめご了承ください。
- 分解図に部番のない部品および品番のない部品は供給できません。
- 標準の抵抗、コンデンサーは省略してあります。
回路図を参照してください。
- △印は安全重要部品です。
交換する時は必ず指定の部品を使用してください。
- 仕向先
[J]: JAPAN [US]: U.S.A. [C]: CANADA [SA]: SOUTH AMERICA
[GE]: GENERAL EXPORT [E]: EUROPE [UK]: U.K. [A]: AUSTRALIA
W-860R(N): Gold Version W-860R(B): Black Version

1 SPECIFICATIONS

仕様

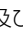
Track System:	4-track, 2-channel stereo	トラック形式	4トラック2チャンネル ステレオ
Heads:	Deck I ; 1 Erase and 1 Record/Playback (Rotating) Deck II ; 1 Erase and 1 Record/Playback (Rotating)	ヘッド構成	Deck I : 録音/再生ヘッド×1 消去ヘッド×1 Deck II : 録音/再生ヘッド×1 消去ヘッド×1
Type of Tape:	Cassette tape C-60 and C-90 (Philips type)	使用テープ	C-60, C-90タイプ カセットテープ
Tape Speeds:	4.76 cm/sec (1-7/8 ips) 9.5 cm/sec (3-3/4 ips) (High speed dubbing)	テープ速度	4.8cm/sec, 9.5cm/sec (倍速ダビング時)
Pitch Control:	±10%	モーター	Deck I : DCサーボモーター×1 Deck II : DCサーボモーター×1
Motors:	2 DC servo motors (1 ea. deck)	ワウ・フラッター	0.09% (W.RMS) ±0.1% (W.Peak)*
Wow and Flutter:	0.09 % (WRMS)	周波数特性(総合)	メタル : 25~20,000Hz (30~19,000Hz±3dB*) クローム : 25~19,000Hz (30~18,000Hz±3dB*) ノーマル : 25~18,000Hz (30~17,000Hz±3dB*)
Frequency response (Overall, -20 dB):	25~19,000 Hz, Metal tape 25~18,000 Hz, CrO ₂ tape 25~17,000 Hz, Normal tape	SN比(総合)	58dB (NR OFF, 規定録音レベル) * 69dB (ドルビーB NR ON, CCIR-ARM) 79dB (ドルビーC NR ON, CCIR-ARM)
Signal-to-Noise Ratio (Overall):	59 dB (NR off, 3 % THD Level, Weighted) 69 dB (Dolby B NR on, over 5 kHz) 79 dB (Dolby C NR on, over 1 kHz)	早巻時間	約110秒 (C-60テープ)
Fast Winding Time:	Approximately 110 seconds for C-60	入力	ライン : 100mV (入力インピーダンス50kΩ) マイク : 0.38mV (入力インピーダンス200Ω)
Inputs:	Line: 97 mV, 50 k ohms Mic: 0.38 mV, 200 ohms	出力	ライン : 0.46V (負荷インピーダンス50kΩ以上) ヘッドフォン : 0.95mW / 8Ω
Outputs:	Line: 0.52 V for load impedance of 50 k ohms or more Headphones: 1 mW/8 ohms	電源	100V AC, 50-60Hz
Power Requirements:	120/230 V AC, 50-60 Hz (General Export model) 120 V AC, 60 Hz (U.S.A./Canada model) 230 V AC, 50 Hz (Europe model) 240 V AC, 50 Hz (Australia model)	消費電力	22W
Power Consumption:	22 W	外形寸法	435×127×292mm (W×H×D)
Dimensions (W x H x D):	435 x 127 x 292 mm (17-1/8" x 4-15/16" x 11-1/2")	質量	4.0kg
Weight (net):	4.0 kg (8-13/16 lbs.)	付属品	リモートコントロールユニット(RC-615)×1, 単3形乾電池×2, 入出力コード2本(1組), 取扱説明書, 保証書
Standard Accessories:	Remote control unit (RC-615) x 1 (General Export/Europe/UK/Australia model), Battery (SUM-3, "AA", "R6" type) x 2 (General Export/Europe/UK/Australia model), Input-output connection cord x 1		

- Improvements may result in specification or feature changing without notice.

Dolby noise reduction and HX Pro headroom extension manufactured under license from Dolby Laboratories Licensing Corporation. HX Pro originated by Bang & Olufsen.

"DOLBY", the double-D symbol  and "HX PRO" are trademarks of Dolby Laboratories Licensing Corporation.

- この仕様は特に表示した項目を除き、当社基準テープを使用して測定したものです。
- 仕様および外観は、改善のため予告なく変更することがあります。
- *印は、日本電子機械工業会 (EIAJ CP-2311) 規格に定められた測定法によるものです。

ドルビーノイズリダクション及びHX PROヘッドルームエクステンションはドルビーラボラトリーズライセンスングコーポレーションからの実施権に基づき製造されています。HX PROはバングアンドオルフセンの考案です。ドルビー、DOLBY、ダブルD記号  及びHX PROはドルビーラボラトリーズライセンスングコーポレーションの登録商標です。

2 ADJUSTMENTS AND CHECKS

調整と確認

2-1 MECHANICAL ADJUSTMENT

2-1-1 Wow and flutter (playback method)

In both FWD and REV play modes, these measurements should be made at the beginning, middle, and the end of the tape.

1. Connect a wow-and-flutter meter to the LINE OUT.
2. Load and play a TEAC MTT-111N test tape.
3. Check that the readings on the wow-and-flutter meter is within 0.19% (JIS WTD).

2-1-2 Tape speed

1. Connect a frequency counter to the LINE OUT.
2. Load a TEAC MTT-111N test tape and play in FWD direction the beginning of the test tape.
3. Adjust each variable resistor to get the following values.

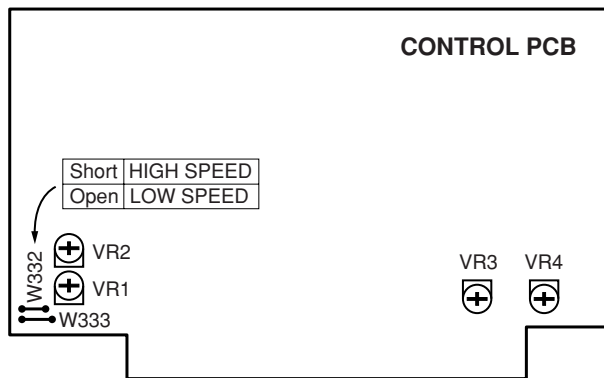


Fig. 2-1

4. In play mode, check that the following values are obtained at the beginning and end of the tape.
Speed drifting: Within 120Hz (HIGH speed)
Within 60Hz (LOW speed)

2-1-3 Reel torque

1. Load the cassette torque meter on the deck and read the pointer indication on the dial scale for each tape transport operation. The measured torque should be within the following specified values.
Take-up: 30 to 70g-cm
Supply: 1.5 to 6g-cm
FF/REW: 70 to 150g-cm

Torque meter

MTT-8111W: Forward torque & back tension
MTT-8121W: Reverse torque & back tension
MTT-8242: Fast forward & rewind static torque

2-1 機構部の調整

2-1-1 ワウ・フラッタ(再生法)

FWD, REV両方向でテープの巻始め、中間、巻終りを測定する。

1. LINE OUT端子にワウ・フラッタメーターを接続する。
2. テストテープMTT-111Nを再生する。
3. ワウ・フラッタ値が0.19% (JIS WTD) 以下であることを確認する。

2-1-2 テープスピード

1. LINE OUT端子に周波数カウンターを接続する。
2. テストテープMTT-111Nの巻始め部をFWD方向で再生する。
3. 周波数値が下表の範囲内になるよう、各調整VRを調整する。

	Adjustment point 調整箇所		Adjustment value 調整値
REC/PLAY I	HIGH speed	VR2	6,000 ± 30Hz
	LOW speed	VR1	3,000 ± 20Hz
REC/PLAY II	HIGH speed	VR4	6,000 ± 30Hz
	LOW speed	VR3	3,000 ± 20Hz

4. 巻始めから巻終りまで再生し、変動幅を確認する。
変動幅：120Hz以内 (ハイスピード)
60Hz以内 (ロースピード)

2-1-3 リールトルク

1. カセット型トルクメーターによる測定値が下記の範囲内であることを確認する。
テイクアップトルク：30～70g-cm
バックテンショントルク：1.5～6g-cm
早送り/巻戻しトルク：70～150g-cm

トルクメーター

MTT-8111W：巻取りトルクとバックテンション (FWD用)
MTT-8121W：巻取りトルクとバックテンション (REV用)
MTT-8242：早送り/巻戻しトルク

2-2 ELECTRICAL ADJUSTMENT

2-2-1 Precautions

- Before performing adjustments and checks clean and demagnetize the entire tape path.
- In general, adjustments and checks are made in the order of Lch then Rch. Double REF. Nos. indicate Lch/Rch. (Example; R11/R21)
- 0dB is referenced to 0.775V.
- The AC voltmeter used in the procedures must have an input impedance of $1M\Omega$ or more.
- Unless specified otherwise, adjustments and checks are made in FWD direction.

2-2 アンプ部の調整

2-2-1 注意

- アンプ部の調整・確認の前に、テープ走行系の消磁と清掃を行なってください。
- 特に指定のない限り、調整はLch, Rchの順序で行なってください。尚、R11/R21のように記されている回路番号はLch/Rchを示します。
- 0dBは0.775Vです。
- 測定に使用するレベル計の入力インピーダンスは $1M\Omega$ 以上のものを使用してください。
- 特に指定のない場合、調整および確認はFWD方向で行なってください。

2-2-2 Adjustment locations 調整箇所

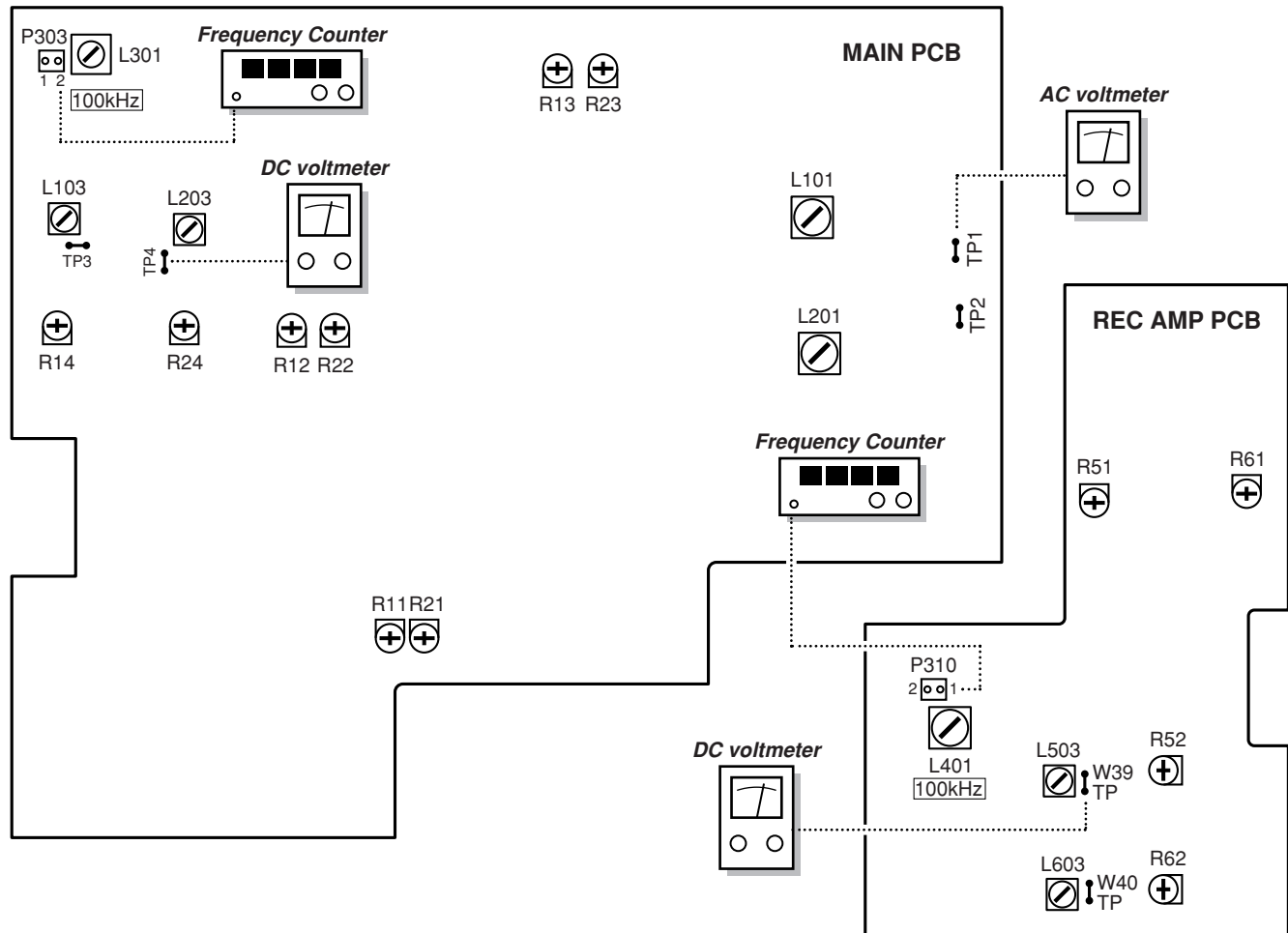


Fig. 2-2

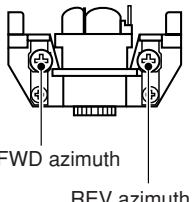
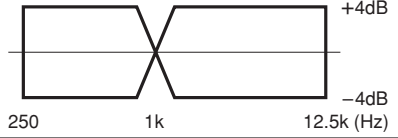
2-2-3 Playback performance 再生系

Deck settings:

Mode: PLAY
DOLBY NR Switch: OFF

TEAC test tapes:

MTT-150C : For Dolby level calibration
MTT-25702 : For playback frequency response check NORMAL tape
MTT-5513 : For S/N check NORMAL tape

ITEM 項目	SETTING 設定	INPUT SIGNAL 入力信号	ADJUSTMENTS 調整箇所	MEASURING POINTS, RESULT 測定箇所・調整値	REMARKS 備考
1. Head azimuth adjustment アジマス調整	Connection:Fig. 2-4 Check and adjust in FWD, REV respectively FWD、REVそれぞれ調整・確認	MTT-150C	Check	LINE OUT: Phase: within 45° 位相: 45°以内 (Fig. 2-5)	 FWD azimuth REV azimuth
		MTT-25702 (12.5kHz)	Azimuth screws アジマス調整 ねじ	LINE OUT: Maximum output level at L & R-ch Lch、Rchとも出力最大	
2. DOLBY level ドルビーレベル	Connection:Fig. 2-2 FWD PLAY	MTT-150C	R11/R21	TP1/TP2: -6dB	REC/PLAY I
			R12/R22		REC/PLAY II
3. Playback output level 再生出力レベル	Connection:Fig. 2-3 FWD/REV PLAY	MTT-150C	Check	LINE OUT: -4.5±1dB	Ref. output level 基準出力レベル
4. Meter level メーターレベル		MTT-150C	Check	LEVEL METER: □□ mark ± 1dot	
5. PHONES output level PHONES出力レベル		MTT-150C	Check	PHONES: -19±3dB	8Ω load 8Ω負荷
6. Playback frequency response 再生周波数特性	Connection:Fig. 2-3	MTT-25702	Check		
7. Playback S/N ratio 再生S/N比	Connection:Fig. 2-3	MTT-5513 Playback the leader tape portion リーダーテープ部を再生	Check	46dB min.	Ratio of ref. level to noise 基準出力レベルとノイズの比

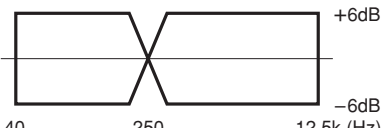
2-2-4 Recording performance 録音系

Deck settings:

Mode: REC/PLAY
 DOLBY NR Switch: OFF
 REC LEVEL Control: Specified position (Item 8)

TEAC recording test tapes:

MTT-5513 : For NORMAL
 MTT-5563 : For CrO₂
 MTT-5572 : For METAL

ITEM 項目	SETTING 設定	INPUT SIGNAL 入力信号	ADJUSTMENTS 調整箇所	MEASURING POINTS, RESULT 測定箇所・調整値	REMARKS 備考
8. Specified LINE input level ライン規定 入力レベル	Connection:Fig. 2-3 Mode: REC	LINE IN: 400Hz/−9dB	REC LEVEL	LINE OUT: −4.5dB	After adjusting, do not move (Specific position) 調整後は動かさないこと(規定位置)
9. Bias osc frequency バイアス発振 周波数	Connection:Fig. 2-2 TAPE: MTT-5513 Mode: REC	LINE IN: No signal 無信号	L301	P303 Pin 2: 100kHz	REC/PLAY II
			L401	P310 Pin 1: 100kHz	REC/PLAY I
10. Step up coil ステップ アップコイル	Connection:Fig. 2-2 TAPE: MTT-5572 Mode: REC	LINE IN: No signal 無信号	L103/L203	TP3/TP4: Min. DC voltage DC電圧最小	REC/PLAY II
			L503/L603	W39/W40: Min. DC voltage DC電圧最小	REC/PLAY I
11. Record bias 録音バイアス	Connection:Fig. 2-3 TAPE: MTT-5513	LINE IN: 250Hz/10kHz −42dB	R14/R24	LINE OUT: Nearly equal level at both frequencies 両周波数の録再出力 が同レベル(±0.5dB)	REC/PLAY II
			R52/R62		REC/PLAY I
12. MPX filter MPX フィルター	Connection:Fig. 2-3 Mode: REC	LINE IN: 19kHz/−12dB	L101/L201	30dB min.	Ratio of ref. level to signal 基準出力レベル に対する比
13. Record level 録音レベル	Connection:Fig. 2-3 TAPE: MTT-5513	LINE IN: 400Hz/−12dB	R13/R23	LINE OUT: −7.5dB	REC/PLAY II
			R51/R61		REC/PLAY I
	TAPE: MTT-5563 MTT-5572		Check	LINE OUT: −7.5 ± 1dB	
14. Total harmonic distortion 総合歪率	Connection:Fig. 2-3 TAPE: MTT-5513 MTT-5563 MTT-5572	LINE IN: 400Hz/−12dB	Check	NORMAL: 2.0% or less CrO ₂ : 2.5% or less METAL: 3.0% or less	
15. Overall frequency response 録再周波数 特性	Connection:Fig. 2-3 TAPE: MTT-5513 MTT-5563 MTT-5572	LINE IN: 40Hz−12.5kHz −42dB	Check		
16. Overall S/N ratio 総合S/N比	Connection:Fig. 2-3 TAPE: MTT-5513 MTT-5563 MTT-5572	LINE IN: No signal 無信号	Check	NORMAL : 45dB min. CrO ₂ : 46dB min. METAL : 46dB min.	Ratio of ref. level to noise 基準出力レベル とノイズの比

ITEM 項目	SETTING 設定	INPUT SIGNAL 入力信号	ADJUSTMENTS 調整箇所	MEASURING RESULT 調整値	REMARKS 備考
17. Erase efficiency 消去率	Connection:Fig. 2-3 TAPE: MTT-5572 1kHz B.P.F in	LINE IN: 1kHz/+1dB	Check	65dB min.	Ratio of the 1kHz recorded portion to the erased portion. 未消去部分と消去部分の比
18. REC MUTE function REC MUTE 効果	Connection:Fig. 2-3 TAPE: MTT-5572 1kHz B.P.F in	LINE IN: 1kHz/+1dB	Check	55dB min.	Ratio of the 1kHz recorded portion to the "REC MUTE" portion. 録音部分と"REC MUTE"部分の比
19. Channel separation チャンネルセパレーション	Connection:Fig. 2-3 TAPE: MTT-5563 1kHz B.P.F in	LINE IN: Lch 1kHz/ -9dB Rch No signal 無信号	Check	35dB min.	Ratio of Lch (1kHz) to Rch (no signal). Lch (1kHz)とRch (無信号)の比
20. Adjacent track crosstalk トラック間クロストーク	Connection:Fig. 2-3 TAPE: MTT-5572	LINE IN: Lch No signal 無信号 Rch 125Hz/ -9dB	Check	40dB min.	Invert tape and play Rch track. Check leakage level against the output reference of previously recorded portion. テープを反転して再生した時のRch出力レベルの比

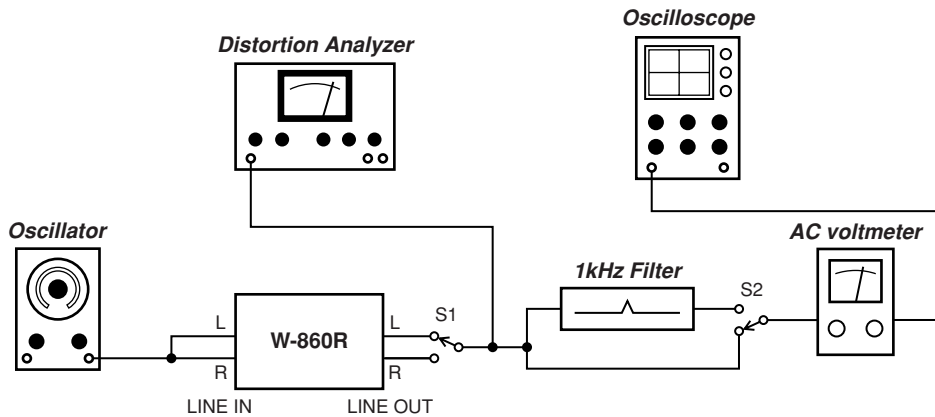


Fig. 2-3

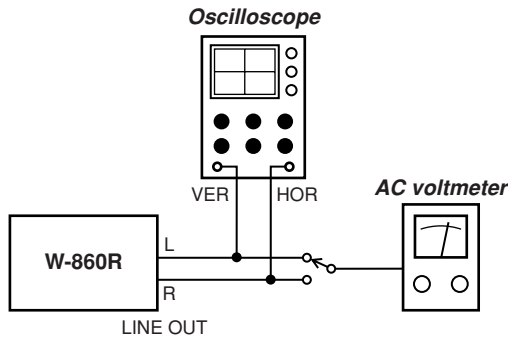


Fig. 2-4

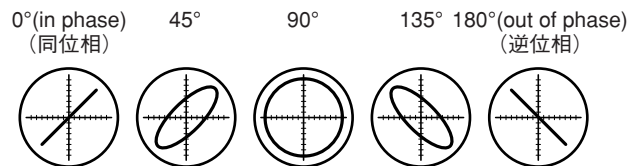
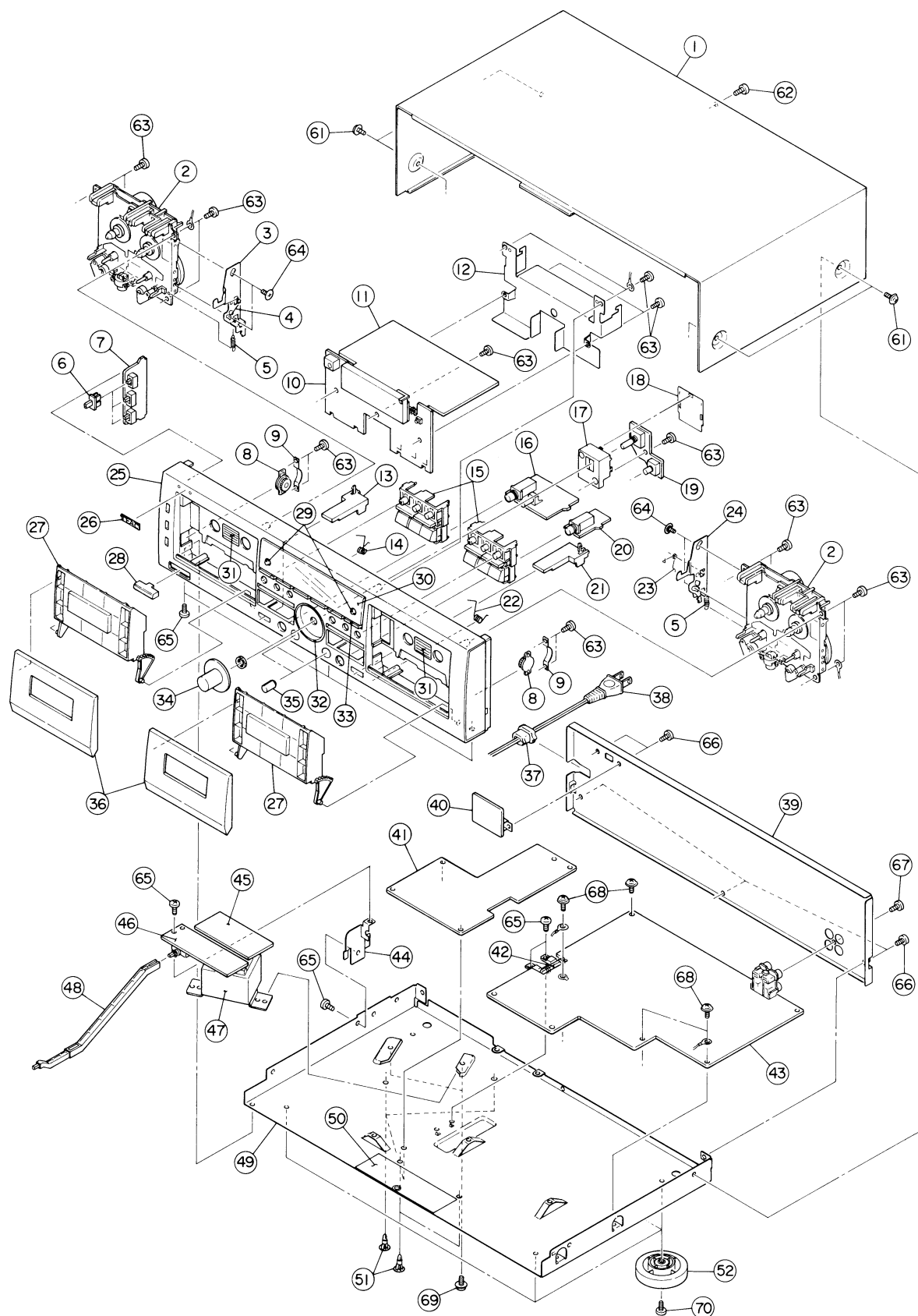


Fig. 2-5

3 EXPLODED VIEWS AND PARTS LIST

分解図とパーツリスト

EXPLODED VIEW-1



EXPLODED VIEW-1

REF. NO.	PARTS NO.	DESCRIPTION	REMARKS
1- 1	* 3M0053900B	BONNET	W-860R (B)
	* 3M0053910B	BONNET (N)	W-860R (N)
1- 2	* 3M0054100A	MECH ASSY, R/P CMAL2Z094A	
1- 3	* 3M0053200B	HOOK, EJECT (L)	
1- 4	* 3M0054300B	SPRING, HOOK L	
1- 5	* 3M0060700B	SPRING EJECT	
1- 6	3M0053700A	KNOB, SLIDE (B)	W-860R (B)
	3M0053710A	KNOB, SLIDE (N)	W-860R (N)
1- 7	* 3E9513000A	PCB ASSY, SLIDE	
1- 8	3M006100	DAMPER, GEAR	
1- 9	* 3M0060600A	DAMPER BRK	
1-10	* 3E9515200A	PCB ASSY, KEY	
1-11	* 3E9515300B	PCB ASSY, CONTROL	
1-12	* 3M0054000A	PLATE, SHIELD	
1-13	* 3M0053000B	BUTTON, EJECT L (B)	W-860R (B)
	* 3M0053010B	BUTTON, EJECT L (N)	W-860R (N)
1-14	* 3M0053300C	SPRING, L	
1-15	3M0052700B	BUTTON, PLAY (B)	W-860R (B)
	3M0052710B	BUTTON, PLAY (N)	W-860R (N)
1-16	* 3E9514900B	PCB ASSY, MIC [J, US, C, SA, GE]	
	* 3E9514940B	PCB ASSY, MIC [E, UK, A]	
1-17	* 3M0056100A	BRACKET, BASE	
1-18	* 3M0056000A	BRACKET, TOP	
1-19	* 3E9513310A	PCB ASSY, VR	
1-20	* 3E9513400A	PCB ASSY, PHONE	
1-21	* 3M0053100B	BUTTON, EJECT R (B)	W-860R (B)
	* 3M0053110B	BUTTON, EJECT R (N)	W-860R (N)
1-22	* 3M0053400C	SPRING, R	
1-23	* 3M0054400B	SPRING, HOOK R	
1-24	* 3M0055300B	HOOK, EJECT (R)	
1-25	* 3M0052110B	PANEL, FRONT	W-860R (B)
	* 3M0052120B	PANEL, FRONT	W-860R (N)
1-26	* 3M0051600A	TEAC EMBLEM (GOLD)	W-860R (B)
	* 3M0051610A	TEAC EMBLEM	W-860R (N)
1-27	* 3M0052300B	LEAD	
1-28	3M0054900A	BUTTON, PWR (B)	W-860R (B)
	3M0054910A	BUTTON, PWR (N)	W-860R (N)
1-29	* 3M0052600A	BUTTON, CLEAR (B)	W-860R (B)
	* 3M0052610A	BUTTON, CLEAR (N)	W-860R (N)
1-30	* 3M0052410A	COVER, WINDOW	W-860R (B)
	* 3M0052420A	COVER, WINDOW	W-860R (N)
1-31	* 3M0062400A	PLATE, REFLECT	
1-32	* 3M0055000B	RING	
1-33	* 3M0052500B	BUTTON, WINDOW (B)	W-860R (B)
	* 3M0052510B	BUTTON, WINDOW (N)	W-860R (N)
1-34	3M0052800C	KNOB, R (B)	W-860R (B)
	3M0052810C	KNOB, R (N)	W-860R (N)
1-35	3M0052900A	KNOB, M (B)	W-860R (B)
	3M0052910A	KNOB, M (N)	W-860R (N)
1-36	3M0052200B	DOOR, LEAD (B)	W-860R (B)
	3M0052210B	DOOR, LEAD (N)	W-860R (N)
1-37	△ * 3M000880	BUSHING, #2271	

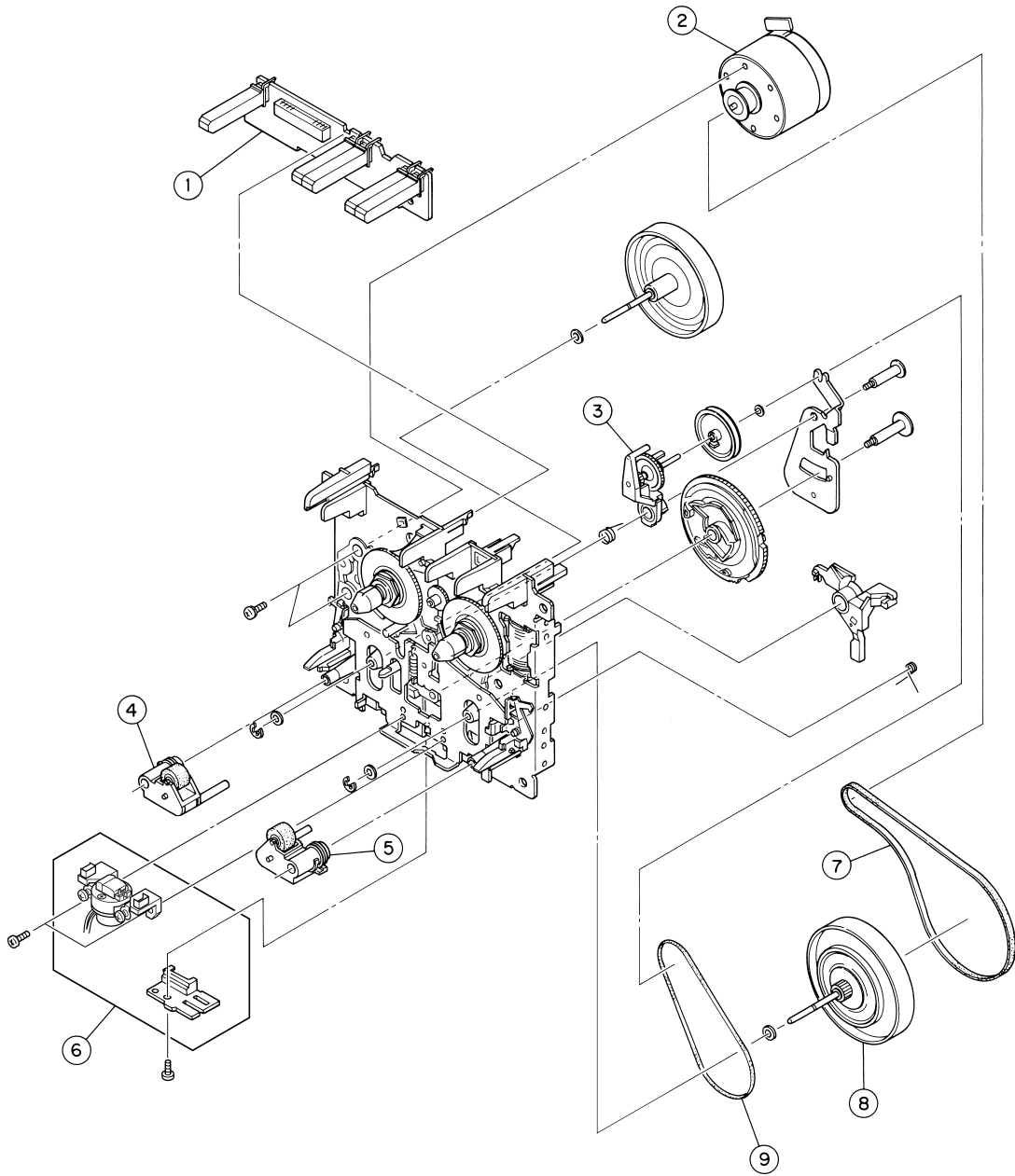
EXPLODED VIEW-1

REF. NO.	PARTS NO.	DESCRIPTION	REMARKS
1-38	△ * 3E000320	POWER CORD [US, C, SA]	
	△ * 3E000330	POWER CORD [GE]	
	△ * 3E000340	POWER CORD [E]	
	△ * 3E000350	POWER CORD [UK]	
	△ * 3E000360	POWER CORD [A]	
	△ * 3E002120	POWER CORD [J]	
1-39	* 3M0053800A	PANEL, REAR [J, E, UK, A]	
	* 3M0053810A	PANEL, REAR [US, C, SA, GE]	
1-40	* 3E9515400A	PCB ASSY, SELECTOR SW [US, C, SA, GE]	
1-41	* 3E9514800A	PCB ASSY, REC AMP	
1-42	* 3E9512900A	PCB ASSY, TR	
1-43	* 3E9515100C	PCB ASSY, MAIN	
1-44	* 3M0016400A	BRACKET, LINKAGE	
1-45	* 3E9513500A	PCB ASSY, TRANS A [J]	
	* 3E9513513A	PCB ASSY, TRANS A [US, C, SA, GE]	
	* 3E9513540A	PCB ASSY, TRANS A [E, UK, A]	
1-46	* 3E9513600B	PCB ASSY, TRANS B [J, US, C, SA, GE]	
	* 3E9513650B	PCB ASSY, TRANS B [E, UK, A]	
1-47	△ 3E0075800A	TRANS, ALL W0020B	
1-48	* 3M0053600B	LINKAGE, POWER	
1-49	* 3M0010830A	MAIN CHASSIS	
1-50	* 3M0062000A	INSULATE SHEET	
1-51	* 3M003070	SUPPORT, PCB SCB-8	
1-52	* 3M0009400A	FOOT ASSY, 56 (SILVER)	
----	* 3E002730	FER. CORE, K5AT 13X7X5 [E, UK, A]	
1-61	* 3B0001806A	SCREW, J, S M3X6 (BLK)	
1-62	* 3B0003808A	SCREW, VPC M3X8 (BLK)	
1-63	* 3B0000808A	SCREW, BPP M3X8	
1-64	* 3B0006700A	SCREW, 2. 6X4. 5	
1-65	* 3B0000106A	SCREW, BPS M3X6	
1-66	* 3B0004406A	SCREW, BPS M3X6 (BLK)	
1-67	* 3B0004808A	SCREW, BPP M3X8 (BLK)	
1-68	* 3B0001306A	SCREW, J, S M3X6	
1-69	* 3B0004208A	SCREW, BPAW M4X8	
1-70	* 3B0000108A	SCREW, BPS M3X8	

INCLUDED ACCESSORIES

REF. NO.	PARTS NO.	DESCRIPTION	REMARKS
	* 3D0021500B	OWNER' S MANUAL (J)	[J]
	* 3D0021600B	OWNER' S MANUAL (E/F)	[US, C, SA, UK, A]
	* 3D0021700B	OWNER' S MANUAL (E/F/G/I/S/D)	[GE, E]
	* 3E000380	PIN CORD	
	* 3E0070300A	REMOTE CONTROL UNIT, RC-615	[J, GE, E, UK, A]
	* 3E003660	BATTERY, UM-3 (2P X ED)	[J, GE, E, UK, A]

EXPLODED VIEW-2



EXPLODED VIEW-2 (CMAL2Z094A)

REF. NO.	PARTS NO.	DESCRIPTION	REMARKS
2- 1	9A07387600	PCB CONTROL BLK	
2- 2	3M002870	MTR MAIN BLK	
2- 3	9A07387700	CLUTCH ASSY BLK	
2- 4	3M002930	ROLLER PINCH BLK L	
2- 5	3M002920	ROLLER PINCH BLK R	
2- 6	9A07387400	PLATE HD BLK	
2- 7	3M002950	BELT MAIN	
2- 8	3M002910	CLUTCH ASSY BLK(B)	
2- 9	3M002940	F/R BELT	

4 PC BOARDS AND PARTS LIST

基板図とパーツリスト

MAIN PCB ASSY

REF. NO.	PARTS NO.	DESCRIPTION
	* 3E9515100C	PCB ASSY, MAIN
	* 3E9015100C	PCB, MAIN
C320	△ 3C001270	CE, 25V 4700UF M
C321	△ 3C001140	CE, 16V 2200UF M
C322	△ 3C001140	CE, 16V 2200UF M
D1	3S000190	LED, LH2041 (RED)
D24-29	△ 3S000031	DIODE, 1N4003-TR
D101, 201	3S000241	DIODE, 1SS133
D301-305	3S000241	DIODE, 1SS133
D307	3S000031	DIODE, 1N4003-TR
D308, 309	3S000241	DIODE, 1SS133
D313	3S001811	ZD1, MTZJ4. 7C
GND7	3E0043200A	TERMINAL, EARTH PLATE B
J32	3E0064100A	JACK, RCA 4P RJ-1073-09
L101, 201	3E002100	FILTER, LOW PASS MPX
L102, 202	3E002051	COIL, 22MH EC46-223K-T2
L103, 203	3E002180	COIL, STEP UP
L301	3E007790	COIL, BIAS SM-10F
L302, 303	3E004411	COIL, 220UH EC36-221K-T5
P304	3E000690	CONNECT PLUG 5P, B5B-PH-K
P305, 306	3E000670	CONNECT PLUG 3P, B3B-PH-K
P307	3E000760	CONNECT PLUG 12P, B12B-PH-K
P308, 309	3E000730	CONNECT PLUG 9P, B9B-PH-K
P312	3E000700	CONNECT PLUG 6P, B6B-PH-K
P313	3E000720	CONNECT PLUG 8P, B8B-PH-K
Q101, 201	3S000000	TR, 2SC1815GR
Q102, 202	3S000000	TR, 2SC1815GR
Q103, 203	3S000410	TR, 2SC2240GR
Q105, 205	3S000410	TR, 2SC2240GR
Q301	3S000020	TR, 2SA1015GR
Q302, 303	3S000000	TR, 2SC1815GR
Q304, 305	3S000410	TR, 2SC2240GR
Q306	3S000020	TR, 2SA1015GR
R11, 21	3R004590	VR, SEMI-FIXED RH0615-10K
R12, 22	3R004590	VR, SEMI-FIXED RH0615-10K
R13, 23	3R004600	VR, SEMI-FIXED RH0615-22K
R14, 24	3R004590	VR, SEMI-FIXED RH0615-10K
U101, 201	3S000291	TR, DTC124ES
U301	3S000280	IC, UPC4570C
U302	3S000430	IC, BU4066BC
U303	3S000280	IC, UPC4570C
U304	3S000430	IC, BU4066BC
U305	3S000360	IC, CXA1561S
U306	3S000430	IC, BU4066BC
U307	3S000260	IC, NJM4558D
U308	3S001530	IC, CXA1598S
U309	3S000560	IC, TC4051BP
U310	3S000270	IC, UPC1297CA
U312	3S000260	IC, NJM4558D
U321, 322	3S000291	TR, DTC124ES

MAIN PCB ASSY

REF. NO.	PARTS NO.	DESCRIPTION
U324-326	3S000291	TR, DTC124ES
U327-337	3S000301	TR, DTA124ES
U339, 340	3S000291	TR, DTC124ES
U341, 342	3S000301	TR, DTA124ES
U343	3S000291	TR, DTC124ES
U345, 346	3S000301	TR, DTA124ES
U347-349	3S000291	TR, DTC124ES

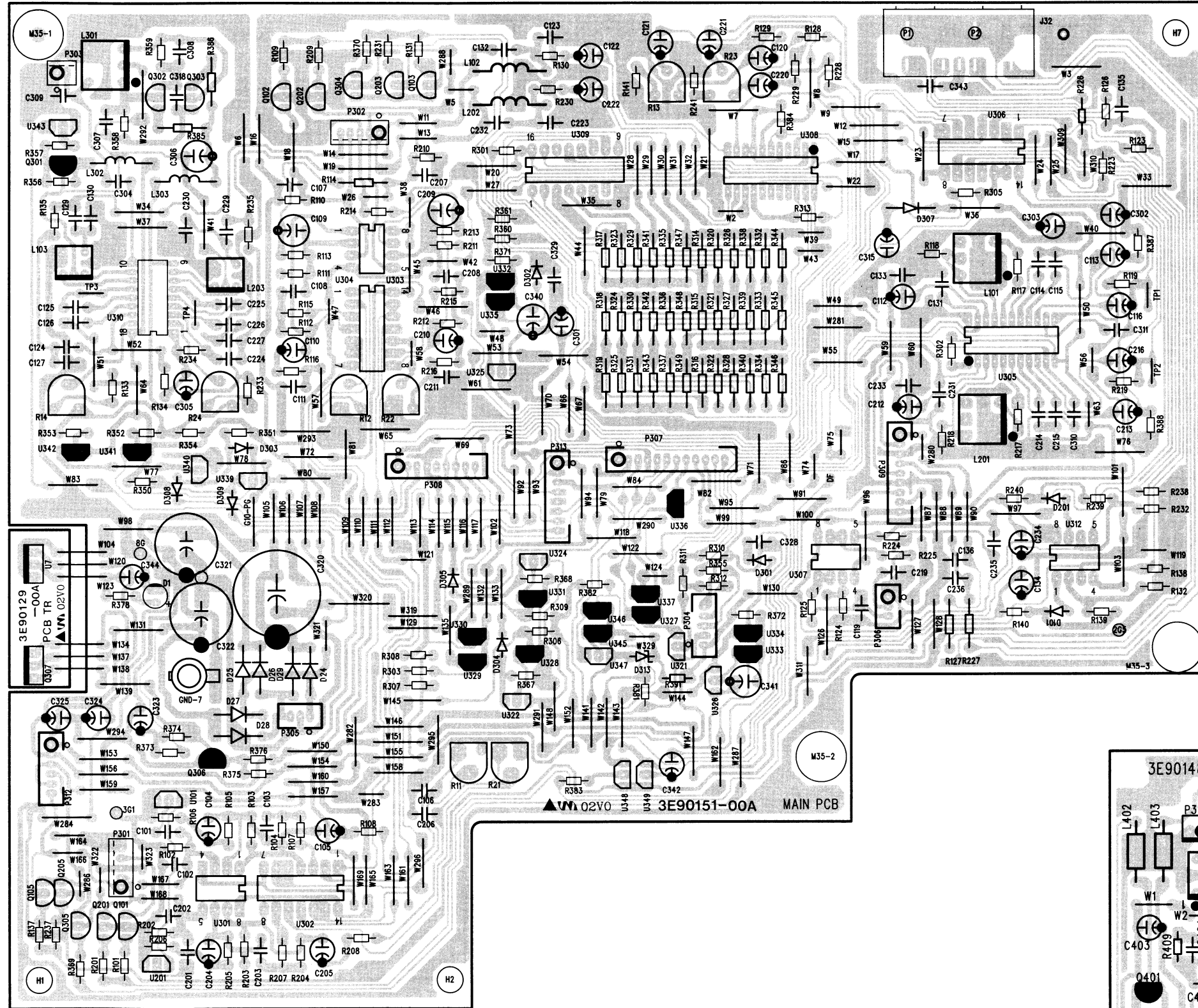
TR PCB ASSY

REF. NO.	PARTS NO.	DESCRIPTION
	* 3E9512900A	PCB ASSY, TR
	* 3E9012900A	PCB, TR
Q307	△ 3S000820	TR, 2SB1655E
U7	△ 3S000650	IC, NJM7805FA

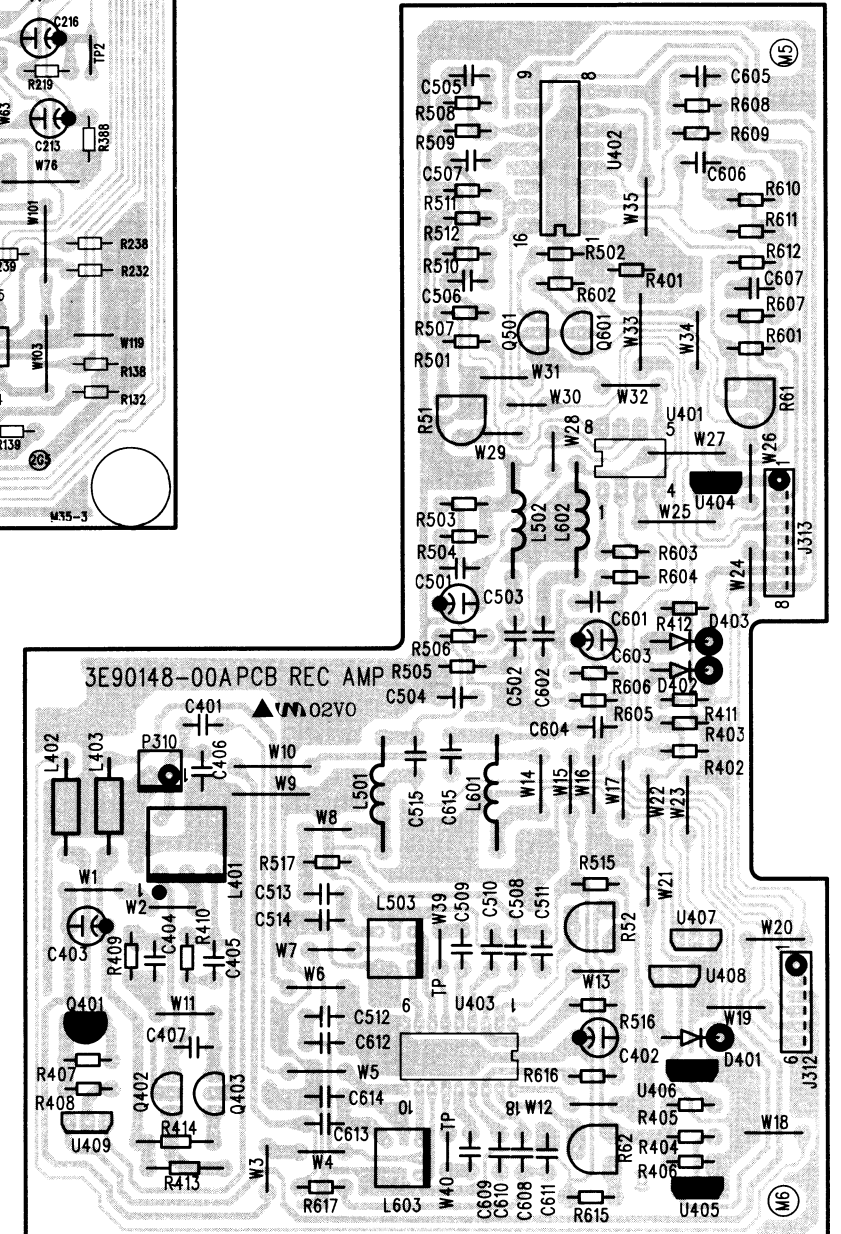
REC AMP PCB ASSY

REF. NO.	PARTS NO.	DESCRIPTION
	* 3E9514800A	PCB ASSY, REC AMP
	* 3E9014800A	PCB, REC AMP
D401-403	3S000241	DIODE, 1SS133
L401	3E007790	COIL, BIAS SM-10F
L402, 403	3E004411	COIL, 220UH EC36-221K-T5
L501, 601	3E002051	COIL, 22MH EC46-223K-T2
L502, 602	3E004421	COIL, 8. 2MH EC46-822J-T5
L503, 603	3E002180	COIL, STEP UP
P310	3E000660	CONNECT PLUG 2P, B2B-PH-K
Q401	3S000020	TR, 2SA1015GR
Q402, 403	3S000000	TR, 2SC1815GR
Q501, 601	3S000731	TR, 2SD2144S
R51, 61	3R004600	VR, SEMI-FIXED RH0615-22K
R52, 62	3R004590	VR, SEMI-FIXED RH0615-10K
U401	3S000260	IC, NJM4558D
U402	3S000470	IC, TC4052BP
U403	3S000270	IC, UPC1297CA
U404-406	3S000301	TR, DTA124ES
U407-409	3S000291	TR, DTC124ES

MAIN PCB/TR PCB



REC AMP PCB



CONTROL PCB ASSY

REF. NO.	PARTS NO.	DESCRIPTION
	* 3E9515300B	PCB ASSY, CONTROL
	* 3E9015300B	PCB, CONTROL
D1	3S001801	ZDI, MTZJ22C
D2, 3	3S000031	DIODE, 1N4003-TR
D4	3S000241	DIODE, 1SS133
D5	3S000031	DIODE, 1N4003-TR
D8	3S001521	ZDI, MTZ3. 9B
D50, 51	3S000031	DIODE, 1N4003-TR
J318	3E000660	CONNECT PLUG 2P, B2B-PH-K
J503	3E000670	CONNECT PLUG 3P, B3B-PH-K
Q1	3S000020	TR, 2SA1015GR
Q2	3S000000	TR, 2SC1815GR
Q3-6	3S000320	TR, 2SA1237TV2Q
Q7	3S000000	TR, 2SC1815GR
U41	3S000380	IC, TA78L005AP
U42	3S0017600B	IC, CXP82616-XXXX
U43, 44	3S000291	TR, DTC124ES
U45	3S000430	IC, BU4066BC
U47-55	3S000291	TR, DTC124ES
VR1-4	3R004590	VR, SEMI-FIXED RH0615-10K
X1	3E005480	RESONATOR, CERAMIC 4.19MHZ

KEY PCB ASSY

REF. NO.	PARTS NO.	DESCRIPTION
	* 3E9515200A	PCB ASSY, KEY
	* 3E9015200A	PCB, KEY
	* 3M0060400A	FOLDER FL (L)
	* 3M0060500A	FOLDER FL (R)
D9-29	3S000241	DIODE, 1SS133
D31-35	3S000241	DIODE, 1SS133
D40, 41	3S000241	DIODE, 1SS133
FL1	3M0014900A	FL DISPLAY, BJ-185GK
SW1-20	3E002070	SW, TACT SKQSAB HMR-187
SW22-25	3E002070	SW, TACT SKQSAB HMR-187
U56	3S000760	REMOCON. SENSOR, SBX1976-52

MIC PCB ASSY

REF. NO.	PARTS NO.	DESCRIPTION
	* 3E9514900B	PCB ASSY, MIC [J, US, C, SA, GE]
	* 3E9514940B	PCB ASSY, MIC [E, UK, A]
	* 3E9014900A	PCB, MIC
J33	3E008550	JACK, MIC JY-6317-01-130G
L101, 102	3E009040	COIL, 8. 2UH EC24-8R2K[E, UK, A]
P311	3E000700	CONNECT PLUG 6P, B6B-PH-K
R33	3R004360	VAR RES, RK09K12A0001-TK
U313, 314	3S000260	IC, NJM4558D

VR PCB ASSY

REF. NO.	PARTS NO.	DESCRIPTION
	* 3E9513310A	PCB ASSY, VR
	* 3E9013310A	PCB, VR
R31	3R004510	VAR RES, RK14K12D 50KAX2
R32	3R004880	VAR RES, RK11K1130 10KB

SLIDE PCB ASSY

REF. NO.	PARTS NO.	DESCRIPTION
	* 3E9513000A	PCB ASSY, SLIDE
	* 3E9013000A	PCB, SLIDE
J501	3E000700	CONNECT PLUG 6P, B6B-PH-K
SW21	3E006380	SW, SLIDE AXA 2-3
SW26, 27	3E006380	SW, SLIDE AXA 2-3

PHONE PCB ASSY

REF. NO.	PARTS NO.	DESCRIPTION
	* 3E9513400A	PCB ASSY, PHONE
	* 3E9013400A	PCB, PHONE
J31	3E006360	JACK, JY-6317-01-030G

SELECTOR SW PCB ASSY

REF. NO.	PARTS NO.	DESCRIPTION
	* 3E9515400A	PCB ASSY, SELECTOR SW [US, C, SA, GE]
	* 3E9015400A	PCB, SELECTOR SW
S40	△ 3E002110	SW, SLIDE SL13B-022

TRANS A PCB ASSY

REF. NO.	PARTS NO.	DESCRIPTION
	* 3E9513500A	PCB ASSY, TRANS A [J]
	* 3E9513513A	PCB ASSY, TRANS A [US, C, SA, GE]
	* 3E9513540A	PCB ASSY, TRANS A [E, UK, A]
	* 3E9013500A	PCB, TRANS A
AC2	3E002170	TERMINAL LAPPING 2P[E, UK, A]

TRANS B PCB ASSY

REF. NO.	PARTS NO.	DESCRIPTION
	* 3E9513600B	PCB ASSY, TRANS B [J, US, C, SA, GE]
	* 3E9513650B	PCB ASSY, TRANS B [E, UK, A]
	* 3E9013600B	PCB, TRANS B
S401	△ 3E002060	SW, PUSH SPUN 12

W-860R

TEAC

ティアック株式会社

	営業部	☎ (0422)52-5073	〒180-8550 東京都武蔵野市中町3-7-3
技術的なお問い合わせ	AV技術相談室	☎ (0422)36-2210	〒180-8550 東京都武蔵野市中町3-7-3
アフター・サービスに関するお問い合わせ	札幌営業所	☎ (011)521-4101 (代)	〒064-0807 札幌市中央区南7条西2-2 くぼたビル
	仙台営業所	☎ (022)227-1501 (代)	〒980-0811 仙台市青葉区1番町2-5-5 中央ビル
	新潟サービス	☎ (025)245-0103	〒950-0865 新潟県新潟市元馬越1-4-11 黒井ハイツ
	大宮サービス	☎ (048)642-4551	〒331-0052 大宮市三橋2-846
	多摩サービス	☎ (0422)52-5102	〒180-8550 東京都武蔵野市中町3-7-3
	東京サービス	☎ (03)3592-1827	〒100-0014 東京都千代田区永田町2-10-7 星ガ岡会館
	千葉サービス	☎ (043)255-1281	〒260-0042 千葉市中央区椿森1-21-13 清水ビル
	神奈川サービス	☎ (042)746-6850	〒228-0803 相模原市相模大野7-14-9 グリーンシティビル
	静岡サービス	☎ (054)238-2431	〒422-8034 静岡市高松1-12-1 寿道ハイツ105号
	名古屋営業所	☎ (052)702-3100 (代)	〒465-0025 名古屋市名東区上社5-406
	京都サービス	☎ (075)871-8730	〒616-8224 京都市右京区常盤窪町19 西垣ビル
	大阪営業所	☎ (06)6384-5201 (代)	〒564-0062 吹田市垂水町3-34-10
	兵庫サービス	☎ (0727)55-1002	〒666-0004 兵庫県川西市萩原1-11-29
	岡山サービス	☎ (0862)25-8601	〒700-0945 岡山市新保1142-6
	広島営業所	☎ (082)294-4751 (代)	〒730-0846 広島市中区西川口町13-19
	福岡営業所	☎ (092)431-5781 (代)	〒812-0008 福岡市博多区東光2-2-24
	福岡サービス	☎ (092)936-5672	〒811-2202 福岡県粕屋郡志免町志免1041

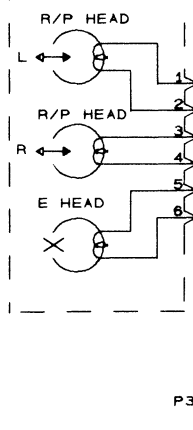
TEAC CORPORATION	3-7-3, Nakacho, Musashino-shi, Tokyo 180-8550, Japan	Phone: (0422) 52-5081
TEAC AMERICA, INC.	7733 Telegraph Road, Montebello, California 90640	Phone: (213) 726-0303
TEAC CANADA LTD.	5939 Wallace Street, Mississauga, Ontario L4Z 1Z8, Canada	Phone: 905-890-8008
TEAC MEXICO, S.A. De C.V	Privada De Corina, No.18, Colonia Del Carrmen Coyoacan, Mexico DF 04100	Phone: 5-658-1943
TEAC UK LIMITED	5 Marlin House, Marlins Meadow, The Croxley Centre, Watford, Herts. WD1 8YA, U.K.	Phone: 01923-819699
TEAC DEUTSCHLAND GmbH	Bahnstrasse 12, 65205 Wiesbaden-Erbenheim, Germany	Phone: 0611-71580
TEAC FRANCE S. A.	17 Rue Alexis-de-Tocqueville, CE 005 92182 Antony Cedex, France	Phone: 01.42.37.01.02
TEAC BELGIUM NV/SA	P.A. TEAC Nederland BV, Perkinsbaan 11a, 3439 ND Nieuwegein, Netherlands	Phone: 0031-30-6048115
TEAC NEDERLAND BV	Perkinsbaan 11a, 3439 ND Nieuwegein, Netherlands	Phone: 030-6030229
TEAC AUSTRALIA PTY., LTD. A.C.N. 005 408 462	106 Bay Street, Port Melbourne, Victoria 3207, Australia	Phone: (03) 9644-2442
TEAC ITALIANA S.p.A.	Via C. Cantù 11, 20092 Cinisello Balsamo, Milano, Italy	Phone: 02-66010500

TEAC SCHEMATIC DIAGRAM W-860R MAIN PCB

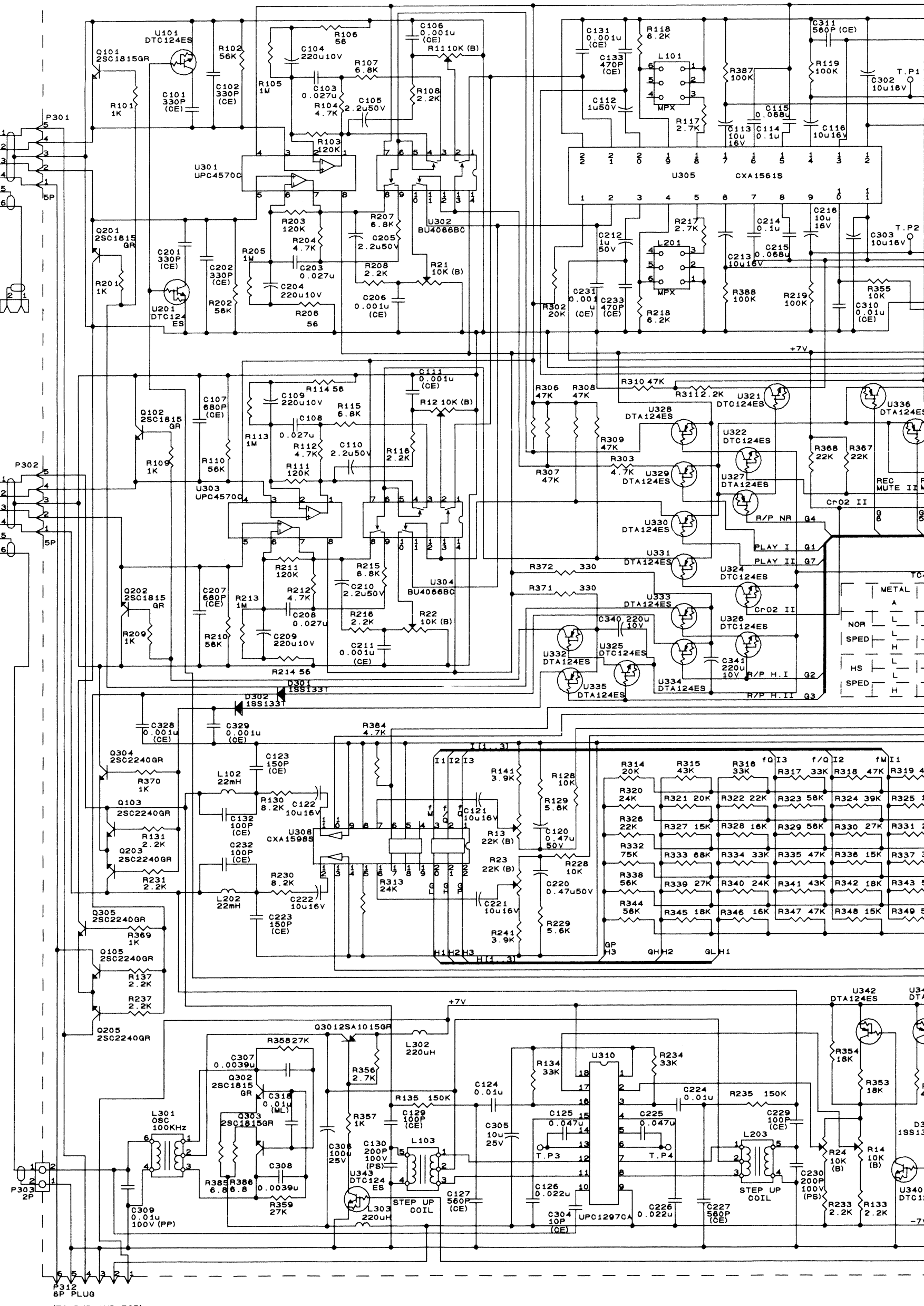
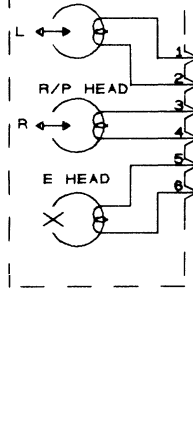
1 2 3 4 5

A
B
C
D
E
F
G
H

DECK I



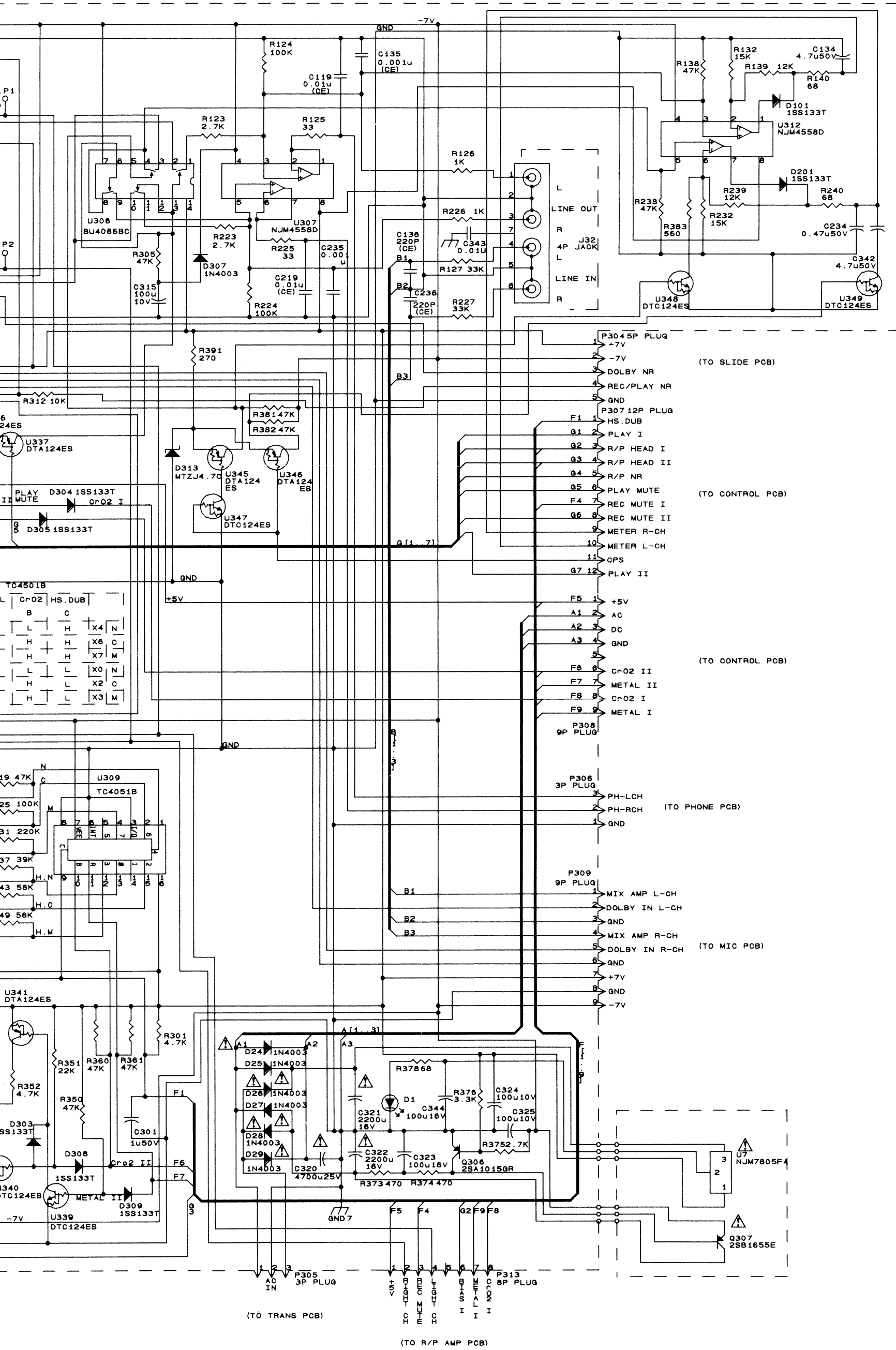
DECK II



INSTRUCTIONS FOR SERVICE PERSONNEL
 BEFORE RETURNING APPLIANCE TO THE CUSTOMER, MAKE LEAKAGE-CURRENT OR RESISTANCE MEASUREMENTS TO DETERMINE THAT EXPOSED PARTS ARE ACCEPTABLY INSULATED FROM THE SUPPLY CIRCUIT.

NOTES:
 1. Resistor values are in ohms (k=kilo-ohms, M=megohms).
 2. Capacitor values are in microfarads (p=picofarads).
 3. Δ Parts marked with this sign are safety critical components.
 They must always be replaced with identical components-refer to the appropriate parts list and ensure exact replacement.

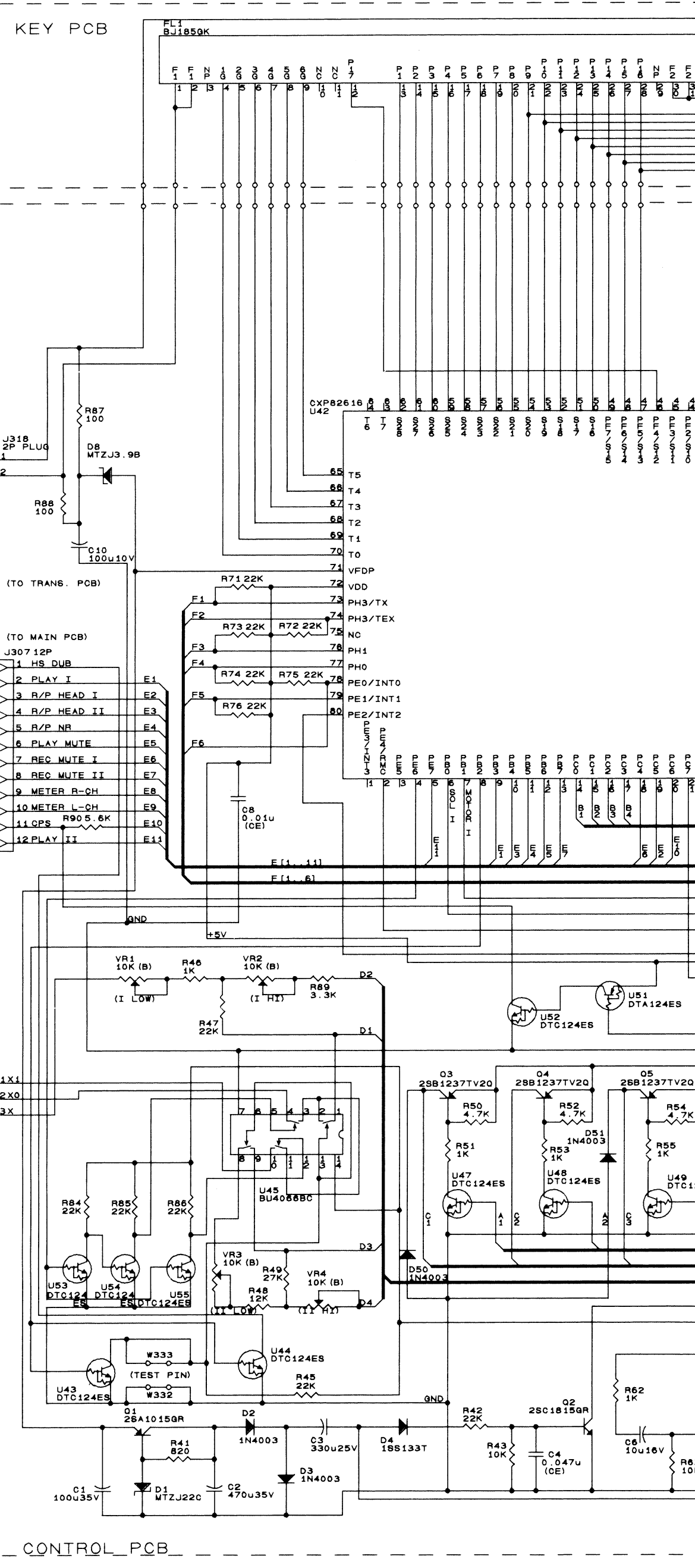
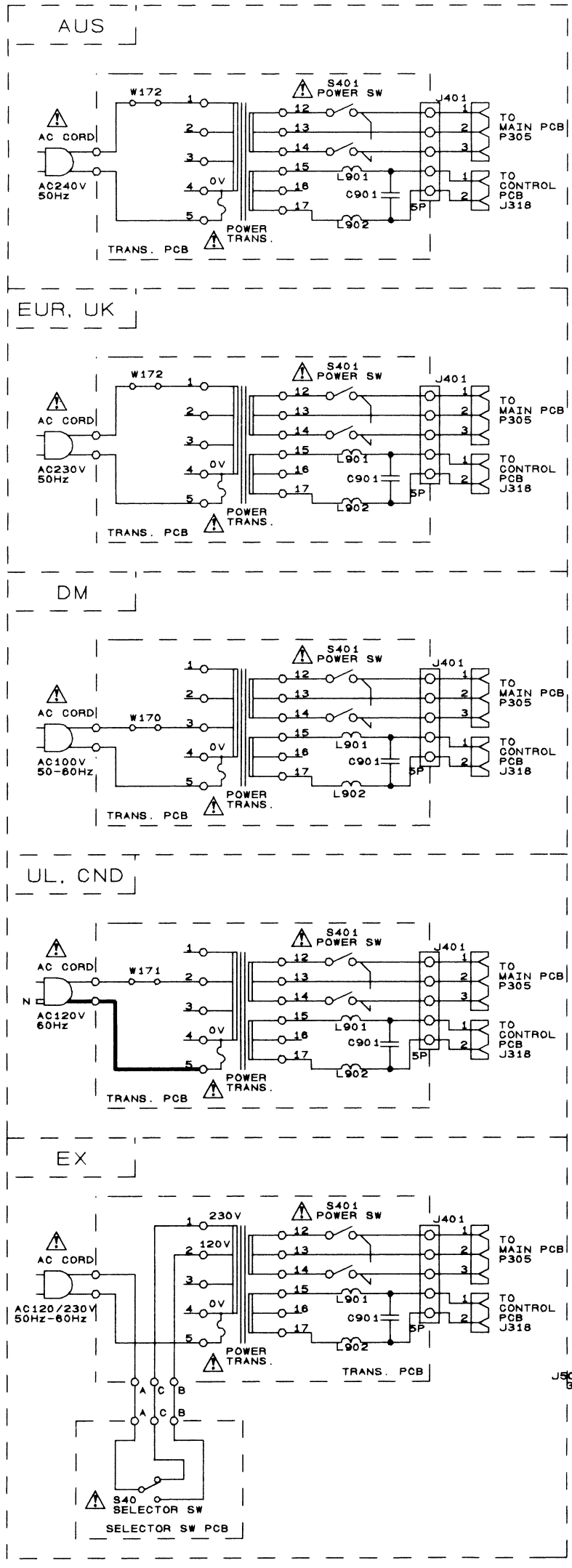
注意
 1. 抵抗の単位は Ω (k=k Ω , M=M Ω)です。
 2. コンデンサの単位は μ F (p=pF)です。
 3. Δ マークのある部品は安全規格重要部品です。
 交換するときは必ずテック指定の部品を使用してください。



TEAC SCHEMATIC DIAGRAM W-860R CONTROL PCB/KEY PCB/SLIDE PCB/POWER SUPPLY SECTION

1 2 3 4 5

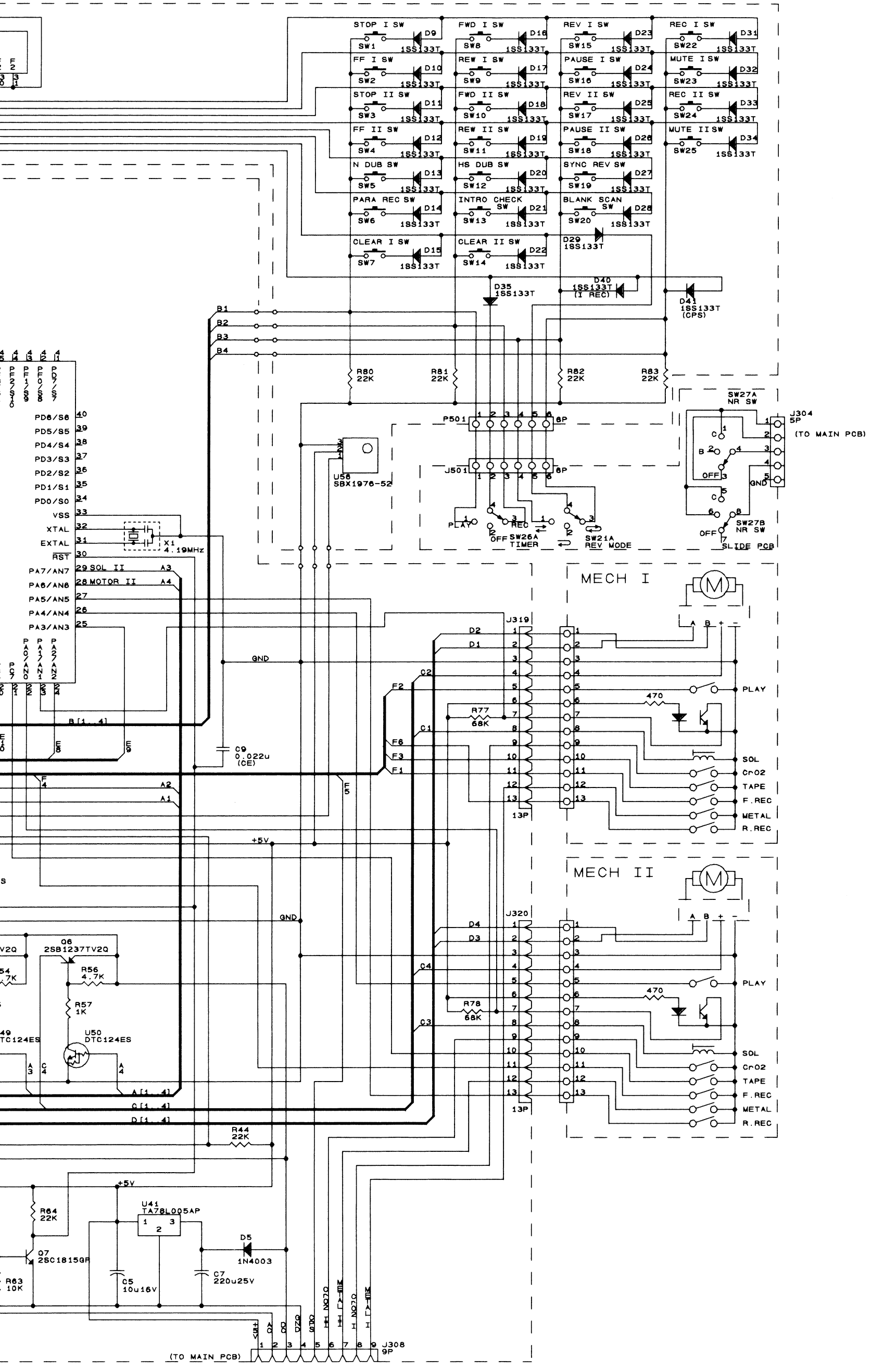
A
B
C
D
E
F
G
H

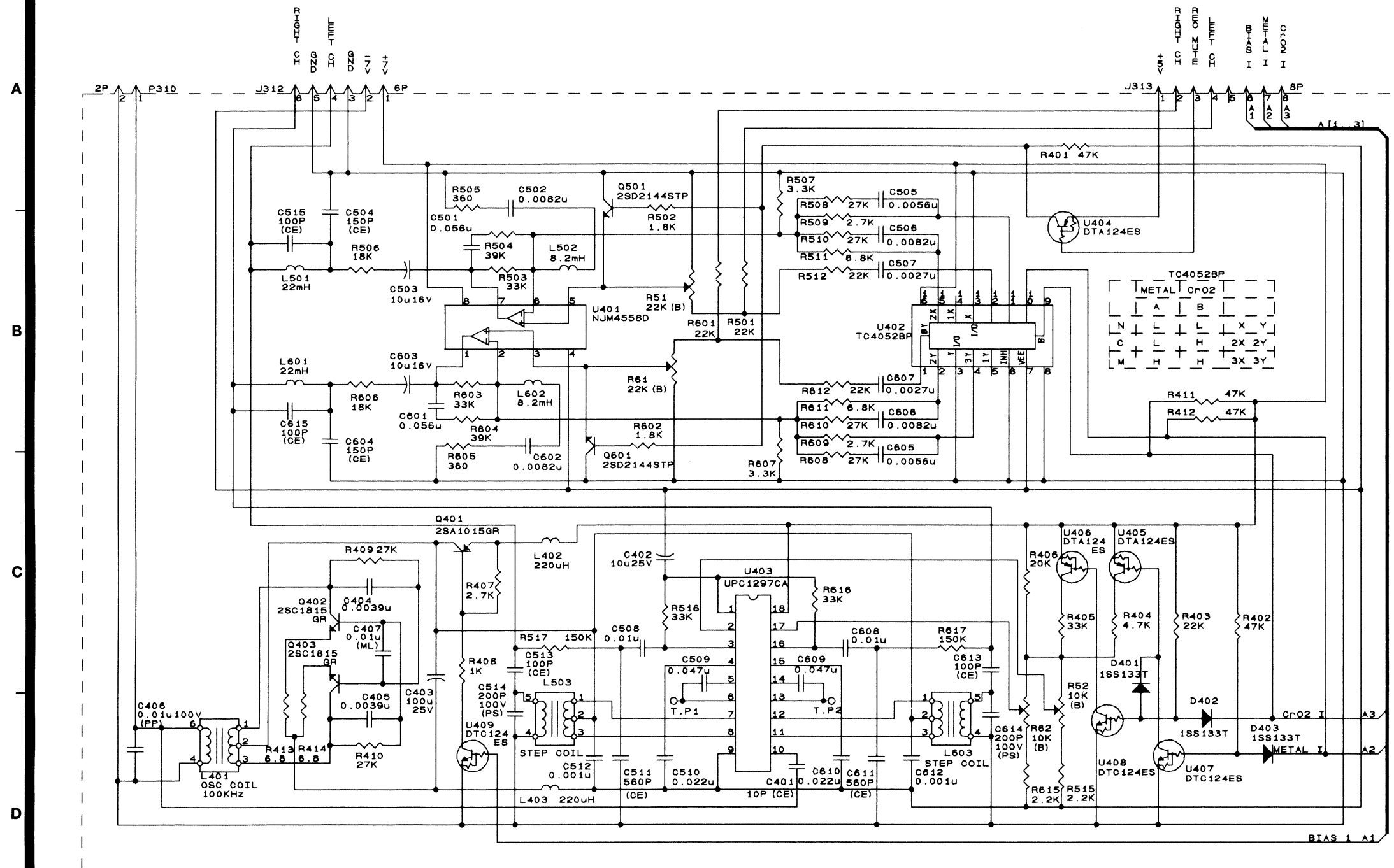


INSTRUCTIONS FOR SERVICE PERSONNEL
BEFORE RETURNING APPLIANCE TO THE CUSTOMER, MAKE LEAKAGE-CURRENT OR RESISTANCE MEASUREMENTS TO DETERMINE THAT EXPOSED PARTS ARE ACCEPTABLY INSULATED FROM THE SUPPLY CIRCUIT.

注意
1. 抵抗の単位はΩ(k=kΩ, M=MΩ)です。
2. コンデンサの単位はμF(p=pF)です。
3. △マークのある部品は安全規格重要部品です。交換するときは必ずテック指定の部品を使用してください。

NOTES:
1. Resistor values are in ohms (k=kilo-ohms, M=megohms).
2. Capacitor values are in microfarads (p=picofarads).
3. △Parts marked with this sign are safety critical components. They must always be replaced with identical components-refer to the appropriate parts list and ensure exact replacement.





INSTRUCTIONS FOR SERVICE PERSONNEL
BEFORE RETURNING APPLIANCE TO THE CUSTOMER, MAKE LEAKAGE-CURRENT OR RESISTANCE MEASUREMENTS TO DETERMINE THAT EXPOSED PARTS ARE ACCEPTABLY INSULATED FROM THE SUPPLY CIRCUIT.

NOTES:
 1. Resistor values are in ohms (k=kilo-ohms, M=megohms).
 2. Capacitor values are in microfarads (p=picofarads).
 3. △ Parts marked with this sign are safety critical components. They must always be replaced with identical components-refer to the appropriate parts list and ensure exact replacement.

注意
 1. 抵抗の単位はΩ (k=kΩ, M=MΩ) です。
 2. コンデンサの単位はμF (p=pF) です。
 3. △マークのある部品は安全規格重要部品です。交換するときは必ずティアック指定の部品を使用してください。

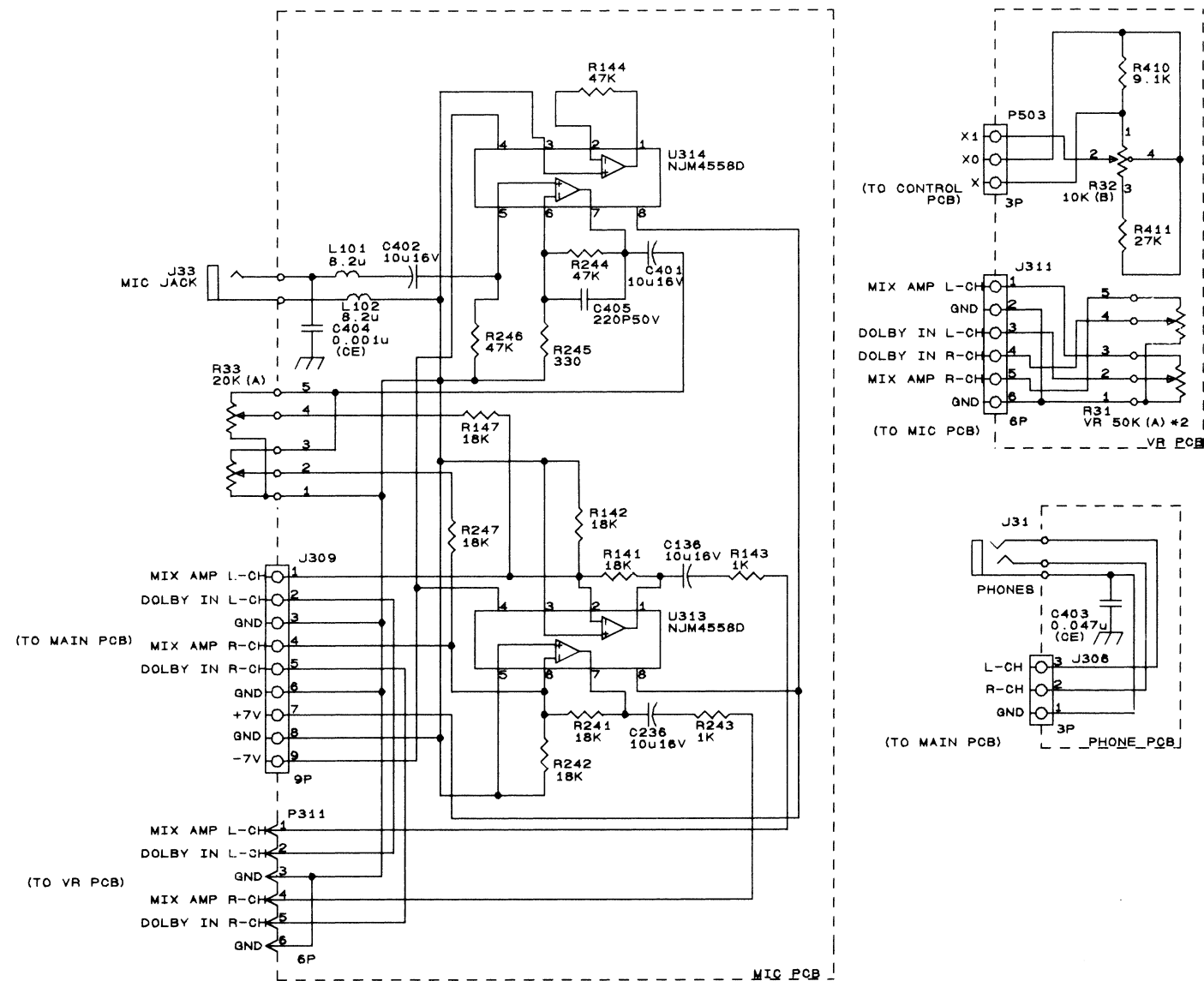
A

B

C

D

E



INSTRUCTIONS FOR SERVICE PERSONNEL
BEFORE RETURNING APPLIANCE TO THE CUSTOMER, MAKE LEAKAGE-CURRENT OR RESISTANCE MEASUREMENTS TO DETERMINE THAT EXPOSED PARTS ARE ACCEPTABLY INSULATED FROM THE SUPPLY CIRCUIT.

注意
 1. 抵抗の単位はΩ (k=kΩ, M=MΩ)です。
 2. コンデンサの単位はμF (p=pF)です。
 3. △マークのある部品は安全規格重要部品です。交換するときは必ずティアック指定の部品を使用してください。

NOTES:
 1. Resistor values are in ohms (k=kilo-ohms, M=megohms).
 2. Capacitor values are in microfarads (p=picofarads).
 3. △Parts marked with this sign are safety critical components. They must always be replaced with identical components-refer to the appropriate parts list and ensure exact replacement.

W-860R

Double Cassette Deck



TECHNICAL INFORMATION

CD-A500/A630/A700, W-780R/790R/860R, Static Noise

No. **0113**
DATE 05th July 2001

In a low humidity environment, a low level static noise is heard on playback due to that the static electricity is accumulated on the capstan flywheels. New flywheels have been designed to have the conductivity.

Model	Mechanism Assy with new flywheel	New Flywheel (FWD side)	New Flywheel (REV side)
W-780R AD-500 CD-A500 CD-A700	3M00103-00B (P) 3M00102-00B (R/P)	9A083871-00	9A087523-00
W-790R W-860R	3M00542-00B (P) 3M00541-00B (R/P)	9A083871-00	9A087523-00
AD-600 CD-A630	3M01115-00B	9A087815-00	9A087521-00
DC-D6800	3M00686-00A	9A087813-00 (Deck 1 flywheel)	9A087812-00 (Deck 2 flywheel)

Following products have new flywheels.

W-780R	No production
W-790R	0330001 and higher
W-860R	0340001 and higher
AD-500	0480001 and higher
AD-600	0040001 and higher
CD-A500	0340001 and higher
CD-A630	0040001 and higher
CD-A700	No production
DC-D6800	No production